



G 250

LIST OF THE EXPLODED VIEWS



SHELL ASSY

COOLING SYSTEM

EVAPORATOR

HYDRAULIC CIRCUIT

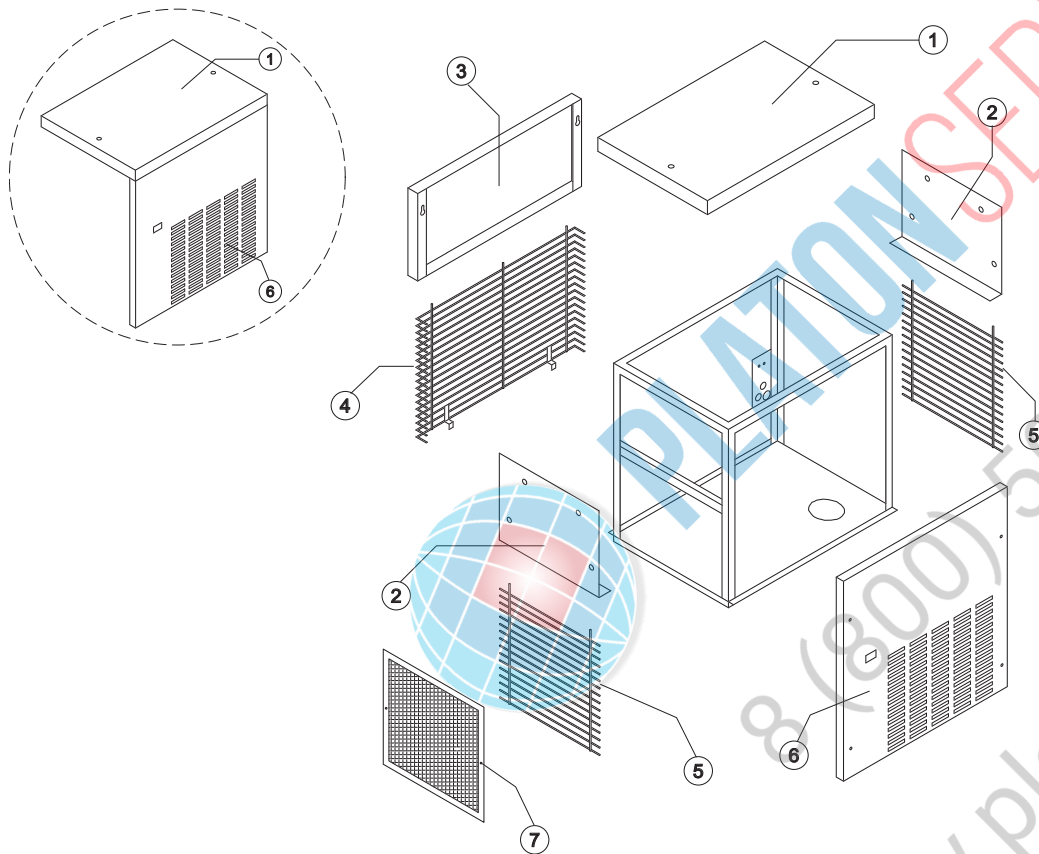
ELECTRIC PARTS



G 250

SHELL ASSY

Till s/n. 449326



Common Parts

Ref.	Spare Description		Code
1	Top	Current Version	221122
1	Top	Till s/n. 449326	22667
2	Right/Left Side Panel		22663
3	Rear Panel		22665
4	Rear Grid		D12060
5	Lateral Grid		D12061
6	Front Panel Assembly	Current Version	C221138B
6	Front Panel Assembly	Till s/n. 449326	C22662B

Parts for Air-Cooled Version Only

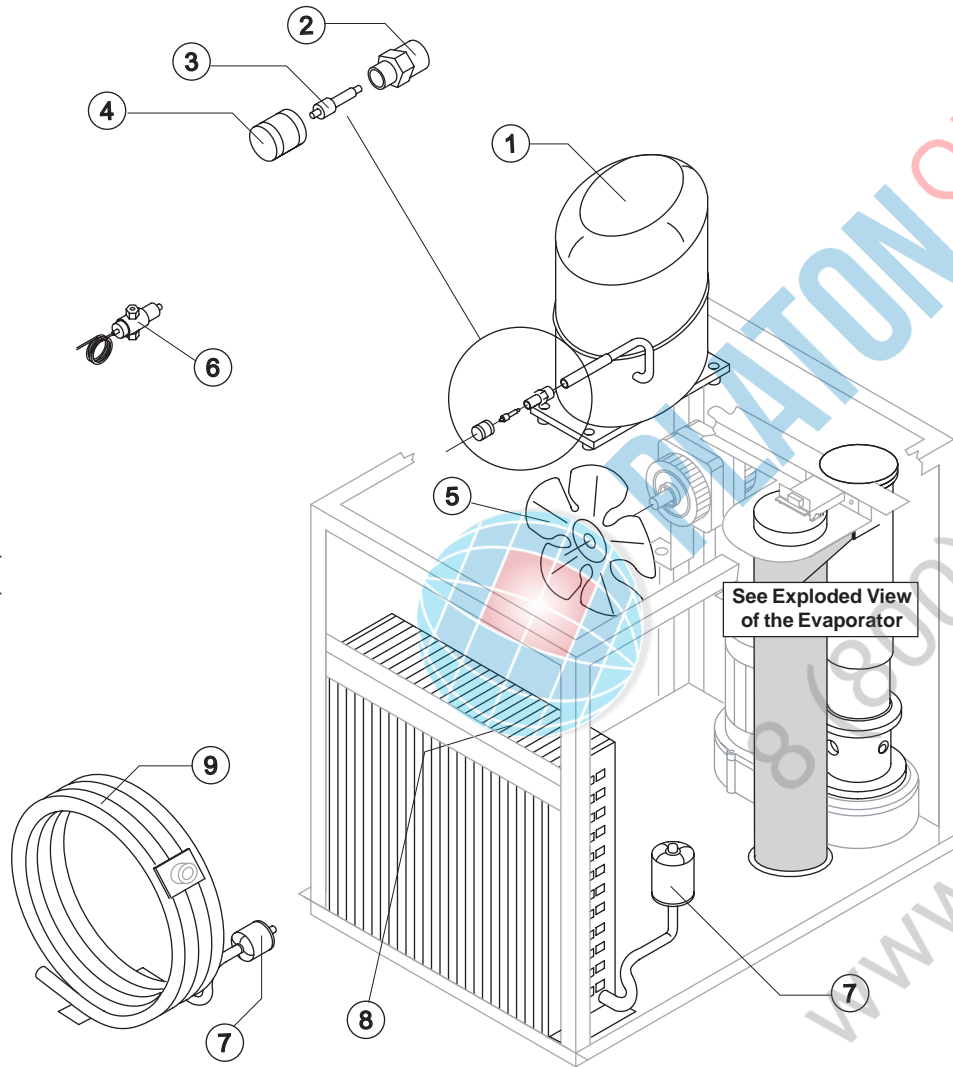
Ref.	Spare Description		Code
7	Filter		18163

Rev. 8 - 01/04/2009



G 250

COOLING SYSTEM



Common Parts

Ref.	Spare Description	Code
1	Compressor	See Table
2	Vacuum-Charge Valve Body	14007
3	Vacuum-Charge Valve Device	14005
4	Vacuum-Charge Valve Plug	14006
7	Solid Core Drier	14089

Parts for Air-Cooled Version Only

Ref.	Spare Description	Code
5	Sucking Fan	20407
8	Air Condenser	Current Version
8	Air Condenser	Till s/n. 438969

Parts for Water-Cooled Version Only

Ref.	Spare Description	Code
5	Sucking Fan	10213
6	Pressostatic Valve	20210
9	Water Condenser	14034

Ref. 1 - Compressor

Tension	Code	Note
T11	23454	Current Version
T11	23570	Till s/n. 268630
T12	23573	
T18	23573	

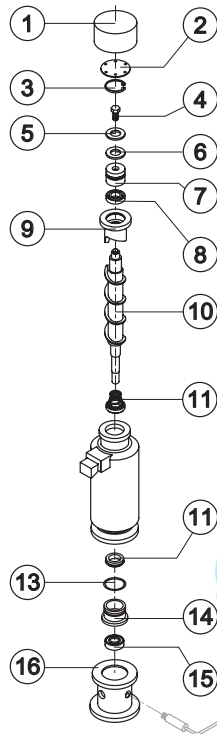
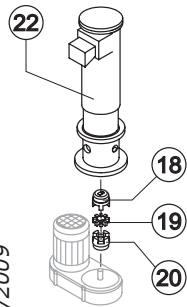


G 250

EVAPORATOR

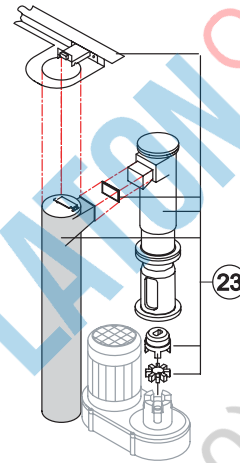
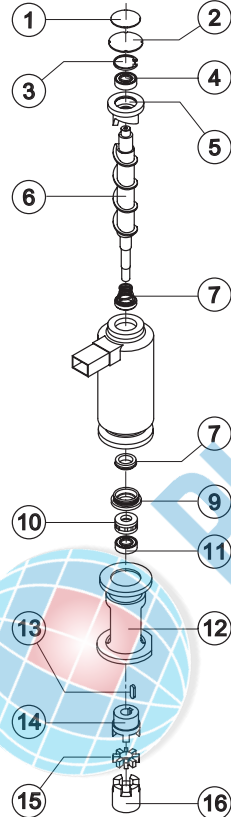
Current Version

Till s/n.162639



C11114.
KITNEVG250
till s/n.
230441.

For Complete
Evaporator, order
C11114



KITNEVG250

For Complete
Evaporator, order
KITNEVG250

Ref.	Spare Description (Current Version)	Code
1	Insulating Cap	18167
2	Closing Disk	22649
3	Seeger	20116
4	Stainless Steel Screw	20664
5	Shimming Disk	22829
6	Self-Lubricating Disk	20639
7	Stainless Steel Thrust Bearing	Current Version 20685
7	Stainless Steel Thrust Bearing	Till s/n. 207806 20648
8	OR Gasket 4137	Current Version 20689
8	Seal Ring	From s/n. 192797 To s/n. 207806 20682
8	Seal Ring	Till s/n. 192797 20656
9	Ice Breaker	Current Version 20683
9	Ice Breaker	Till s/n. 192797 C20657
10	Auger	Current Version 20684
10	Auger with Screw	Till s/n. 192797 C20658
11	Ceramic Seal	20633
13	OR Gasket 3218 NBR	20655
14	Reduction Ring	20659
15	Stainless Steel Bearing	20112
16	Flange	20644
18	Semi-Joint Upper	D20654
19	Vibration-Damping Elastomer	20494
20	Semi-Joint Lower	D20493
22	Evaporator Assy	Current Version C11114
22	Evaporator Assy	Till s/n. 230441 KITNEVG250

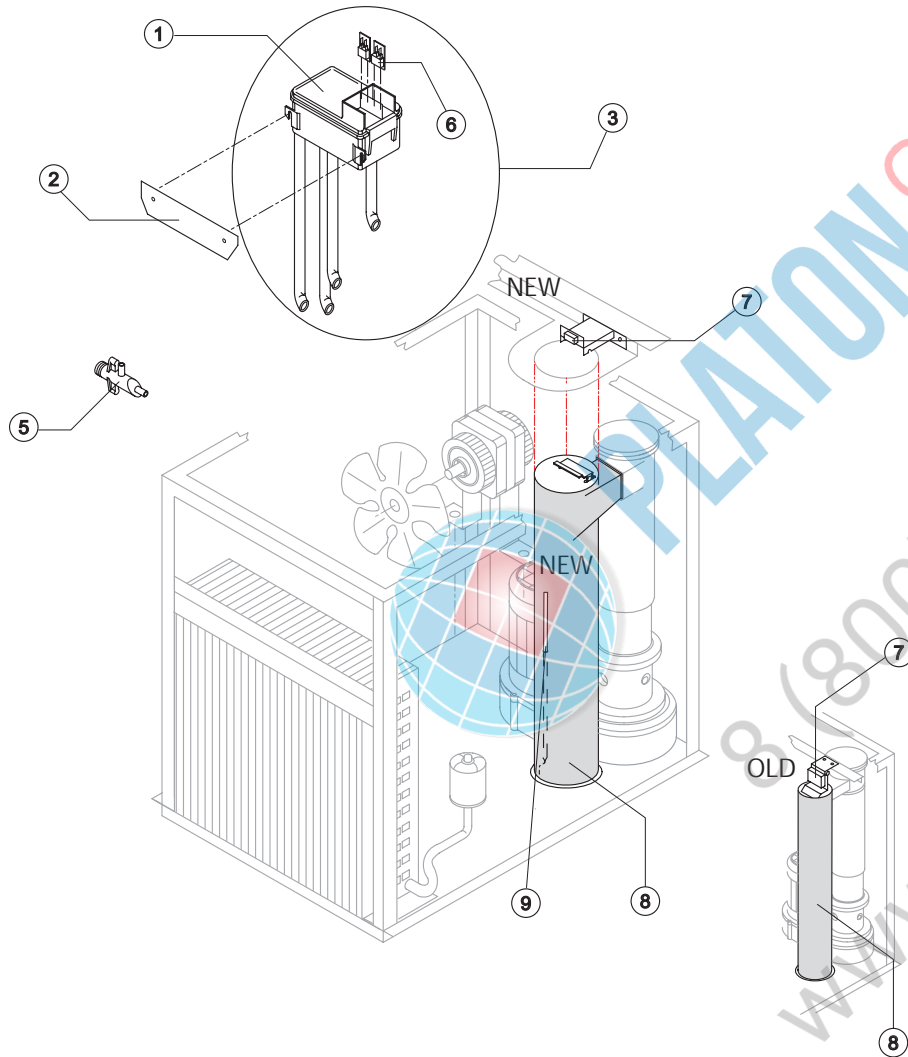
Ref.	Spare Description (Till s/n.162639)	Code
1	Insulating Sponge	18125
2	Closing Disk	22649
3	Seeger	20115
4	Stainless Steel Bearing	20112
5	Ice Breaker	20484
6	Auger	20515
7	Ceramic Seal	20110
9	Ring for Ceramic Seal	20485
10	Stainless Steel Thrust Bearing	20111
11	Stainless Steel Bearing	20113
12	Flange	20482
13	Key	20431
14	Semi-Joint Upper	D20517
14	Semi-Joint Upper	Till s/n. 81177 D20493
15	Vibration-Damping Elastomer	20494
16	Semi-Joint Lower	D20493
23	Evaporator Assy	ex C11105 KITNEVG250

Rev. 8 - 01/04/2009



G 250

HYDRAULIC CIRCUIT



Common Parts

Ref.	Spare Description	Code
1	Double Switch Basin	10145
2	Basin Support Plate	21133
3	Double Switch Basin Assembly	C10201
6	Microswitch	23055
7	Bin Level Control Microswitch	Current Version 23196
7	Bin Level Control Switch	Till s/n. 230441 C22099
8	Ice Outlet Pipe Assy	Current Version C10459
8	Ice Outlet Pipe Assy	Till s/n. 230441 C13114
9	Bin bulb holder	20621

Parts for Air-Cooled Version Only

Ref.	Spare Description	Code
5	Discharges Manifold	C10052

Parts for Water-Cooled Version Only

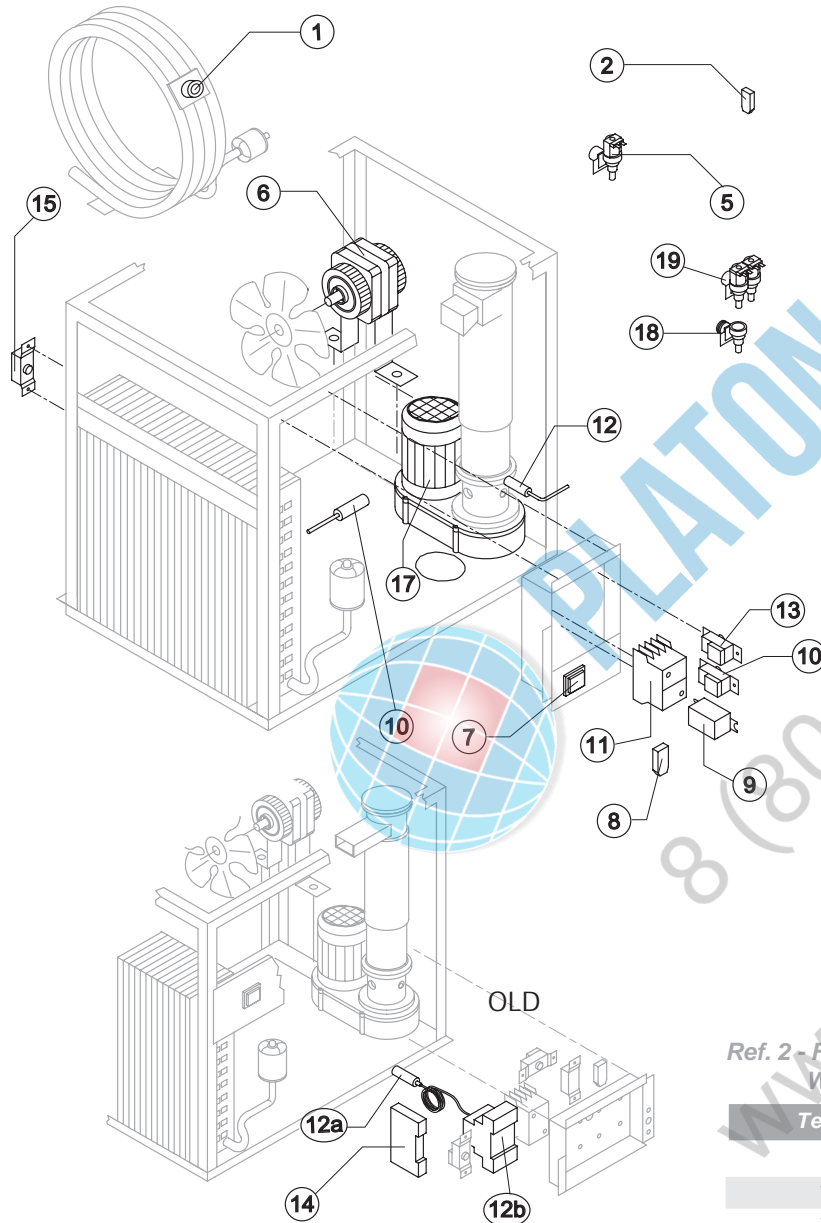
Ref.	Spare Description	Code
5	Discharges Manifold	C10053

Rev. 8 - 01/04/2009



G 250

ELECTRIC PARTS



Common Parts

Ref.	Spare Description	Code
2	Anti Radio Interference Filter	C23457
5	1 Way- Water Inlet Valve	23115
7	Green Light Switch (On-Off)	23327
10	Low pressure safety switch	Current Version 23909
10	Evaporator Thermostat	Till s/n. 449741 R23034
11	Contactor	23147
12	Rotation Sensor	Current Version R23676
12a	Probe of Rotation Sensor	Till s/n. 188726 23634
12b	Rotation Sensor Switchboard	Till s/n. 188726 23633
13	Bin Thermostat	R23421
14	Electronic Timer	Till s/n. 162639 23560
15	Safety Pressure-Switch	23342
17	Gearmotor	Current Version See Table
17	Gearmotor	Only for T11 and T12 Till s/n. 162639 23571

Parts for Air-Cooled Version Only

Ref.	Spare Description	Code
6	Fan Motor	23121
8	Anti Radio Interference Filter	C23459
9	Condenser Pressure Switch	See Table -

Parts for Water-Cooled Version Only

Ref.	Spare Description	Code
1	Safety Thermostat	Till s/n. 175256 C23114
2	Fan Motor	See Table -
18	1 Way- Water Inlet Nipple	10368
19	2 Ways- Water Inlet Valve	Till s/n. 123470 C23192

Ref. 2 - Fan motor - Water cooled version

Tension	Code
T11	23029
T12	23029
T18	23682

Ref. 9 - Cond. Pressure Switch

Tension	Code
T11	23175
T12	23175
T18	23680

Ref. 17 - Gearmotor

Tension	Code
T11	23638
T12	23638
T18	23853

Rev. 8 - 01/04/2009